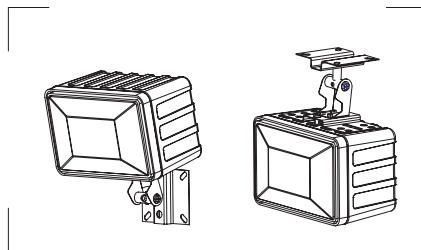
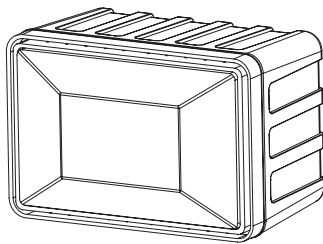




Compact Installation Loudspeaker

USER'S MANUAL



SBWPI05BC/WC

Catalogue

Important Precautions.....	2
Product maintain.....	2
Product introduction.....	2
Application range.....	2
Use explainer.....	3
Specification.....	4
Dimension.....	4
Product curve picture	5

Thank you very much for buying SBWPI05 loudspeaker. To make you know more how to use our products, please study this user manual before using and keep it for reference in the future.

Important precautions

- 1) To prevent damage of the equipment, please use the accessories we provide and install it according to direction in this user manual.
- 2) Don't use any incomplete, corroded, deformed accessories to install the equipment. Installation or suspension can only use the accessories/stand of our company, please contact the local dealer to buy.
- 3) When you need to long term suspension of the equipment, please make sure there is adequate capacity suspension point to support the equipment. The suspension point must can load at least 10 times the weight of the equipment.
- 4) To make sure there is enough margin, please make sure the power of the amplifier pushing the loudspeaker is 1.5 times of the loudspeaker.

Product maintain

- 1) Regularly check all locking pins and fixation to ensure that they are not rusty or damaged. Damaged parts must be replaced. Please contact your local dealer to replace the parts.
- 2) The speaker unit can be replaced by removing the net. Please note that when remove the nets, do not make the net distorted or deformed.
- 3) The speaker components can use half wet towel to wipe clean. Forbid using alcohol, gas oil or corrosive chemical composition liquid to clean the cabinet. Avoid the box near the heat source.
- 4) When use the loudspeaker outdoor, please make sure that there is adequate protection to prevent water droplets splashing into the cabinets.
- 5) To prevent equipment damage and possible danger which may caused by the suspension, we strongly suggest you to employ the qualified technique person to hang it.

Product introduction:

- 1) Full frequency loudspeaker.
- 2) With a 5in full frequency unit.
- 3) Cover angle 120° x120°
- 4) Computer optimization simulation design to gain good frequency response and phase characteristics
- 5) High-quality music playback
- 6) Non-waterproof, moisture-proof, easy lifting

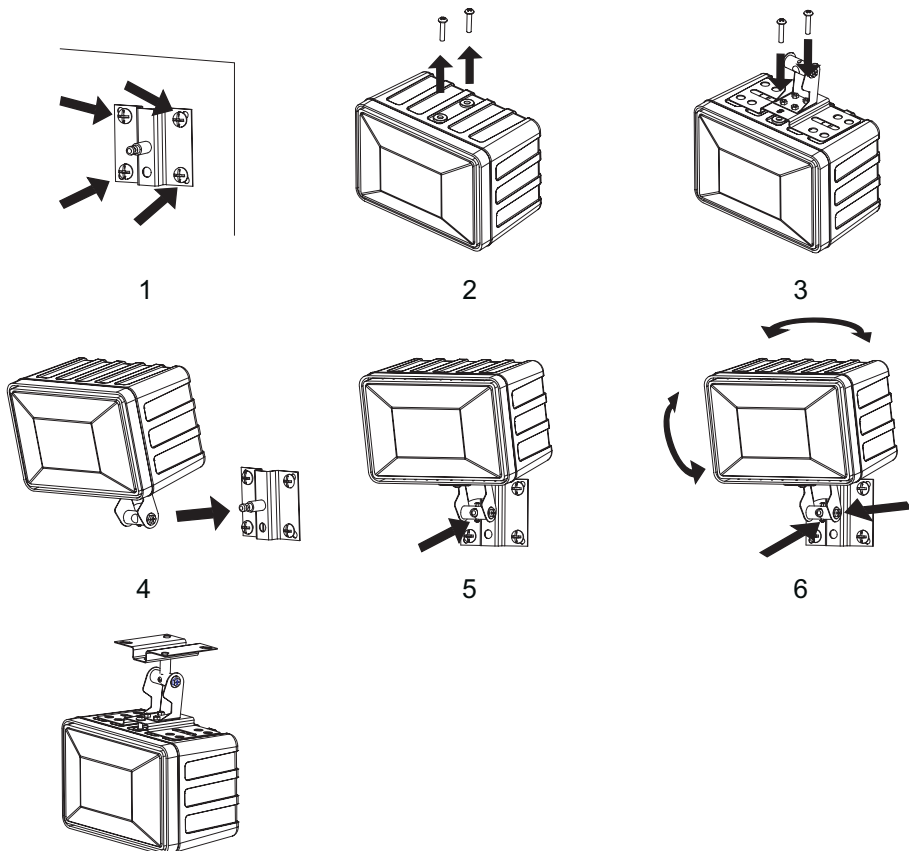
Application range:

- 1) Apply to full range audio sound reinforcement, meeting rooms, shopping malls, bars and other public places fixed installation.
- 2) Indoor use.

Use explainer

Loudspeaker hanging bracket installation steps :

- 1.Install the rear panel of the stand in the wall.
- 2.Take out two mounting screws at the bottom of the loudspeaker out.
- 3.Install the front arm and fix with screws.
- 4.Insert the fixed front arm of the loudspeaker stand into the rear panel fixed in the wall.
- 5.Tighten the screws on the front arm to complete the installation.
- 6.Loose the adjustment screw of the front arm to adjust the vertical and horizontal of the loudspeaker to achieve the required angle degree, and then tighten the screw.
- 7.Ceiling suspension can also use the same steps from 1-6.

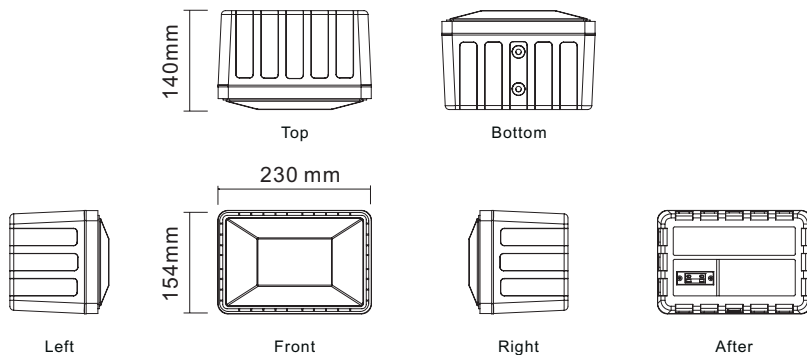


Specification

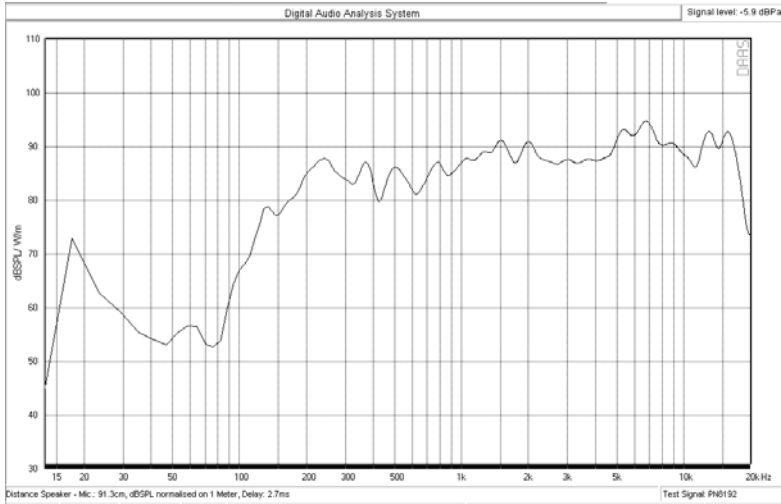
Items	Technic specification
Rated power(RMS)	10-40W
Peak power	80W
Speaker components	LF:1 5in woofer, 25mm(1in) voice coil dia HF:N/C
Input method	Clip terminal 1
Sensitivity(1W/m)	92dB
MAX.SPL	108dB
Rated impedance	4 ohms
Frequency range	150Hz-17KHz
Crossover frequency	N/C
Dispersion angle	H=120° V=120°
Cabinet	Polystyrene
Grille	Power coated perforated aluminum, with acoustically
Net weight	3.5Kg/prs
Shipping weight	5Kg/prs
Product Dimensions(H W D)	154x230x140mm
Packing Dimensions(H W D)	300x250x470mm

We reserve the right to make changes in above specifications without prior notice.

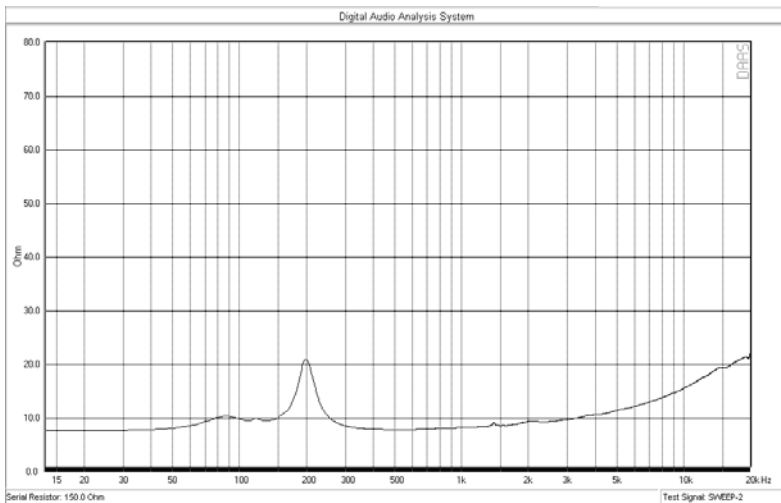
Dimension



Product curve picture



Frequency response curve picture



Impedance curve picture

www.tygglobal.com

TYG reserves the right to make changes in specifications or products without prior notice.